

Discontinuous design of negative index metamaterials based on mode hybridization

Nian-Hai Shen, Lei Zhang, Thomas Koschny, Babak Dastmalchi, Maria Kafesaki et al.

Citation: *Appl. Phys. Lett.* **101**, 081913 (2012); doi: 10.1063/1.4748361

View online: <http://dx.doi.org/10.1063/1.4748361>

View Table of Contents: <http://apl.aip.org/resource/1/APPLAB/v101/i8>

Published by the [American Institute of Physics](#).

Related Articles

Metamaterial filter for the near-visible spectrum

Appl. Phys. Lett. **101**, 083106 (2012)

A fast Fourier transform implementation of the Kramers-Kronig relations: Application to anomalous and left handed propagation

AIP Advances **2**, 032144 (2012)

Applications of non-periodic multilayer optics for high-resolution x-ray microscopes below 30 keV

Rev. Sci. Instrum. **83**, 10E533 (2012)

Excitation of a high-Q subradiant resonance mode in mirrored single-gap asymmetric split ring resonator terahertz metamaterials

Appl. Phys. Lett. **101**, 071108 (2012)

Analytical modeling of conformal mantle cloaks for cylindrical objects using sub-wavelength printed and slotted arrays

J. Appl. Phys. **112**, 034907 (2012)

Additional information on *Appl. Phys. Lett.*

Journal Homepage: <http://apl.aip.org/>

Journal Information: http://apl.aip.org/about/about_the_journal

Top downloads: http://apl.aip.org/features/most_downloaded

Information for Authors: <http://apl.aip.org/authors>

ADVERTISEMENT



HAVE YOU HEARD?

Employers hiring scientists
and engineers trust
physicstodayJOBS



<http://careers.physicstoday.org/post.cfm>

Discontinuous design of negative index metamaterials based on mode hybridization

Nian-Hai Shen,^{1,a)} Lei Zhang,¹ Thomas Koschny,¹ Babak Dastmalchi,^{1,2} Maria Kafesaki,^{3,4} and Costas M. Soukoulis^{1,3}

¹Ames Laboratory and Department of Physics and Astronomy, Iowa State University, Ames, Iowa 50011, USA

²Center for Surface and Nanoanalytics, Johannes Kepler University Linz, Altenbergerstrasse 69, 4040 Linz, Austria

³Institute of Electronic Structure and Laser, FORTH, 71110 Heraklion, Crete, Greece

⁴Department of Materials Science and Technology, University of Crete, 71003 Heraklion, Crete, Greece

(Received 6 June 2012; accepted 14 August 2012; published online 24 August 2012)

An electric inductor-capacitor (ELC) resonator provides a series of electrical resonances and a pair of ELC resonators leads to the split of each resonance into two modes, i.e., magnetic and electric modes, corresponding to antisymmetric and symmetric current distributions. With the meticulous design of the ELC resonator, we can achieve a negative index metamaterial through mode hybridization by overlapping the first electric resonance mode and the second magnetic resonance mode. Such non-connected designs may offer opportunities to achieve three-dimensional negative index metamaterials. © 2012 American Institute of Physics. [<http://dx.doi.org/10.1063/1.4748361>]

Metamaterials (MMs), formed by artificially designed, subwavelength building blocks, have already brought us various, unexpected phenomena and applications, such as negative refraction, sub-diffractive imaging, and cloaking, etc.^{1–6} Up to now, in most of the negative-index-metamaterial (NIM) designs, continuous metallic components are adopted to provide negative ϵ led by a Drude-shape electric response, and negative μ is realized by some specifically designed magnetic resonator, which generally shows a Lorentz-shape magnetic response.^{7–13} There also have been some non-connected NIMs achieved via engineering the electric and magnetic resonances of the same plasmon mode to realize a spectral region, in which permittivity and permeability are simultaneously negative. Zhou *et al.*¹⁴ proposed to utilize the interaction between the neighboring cut-wires in plane to lower the electric resonance frequency so the band for negative permeability can be settled within the region of negative permittivity since the electric resonance is much stronger and much wider than the magnetic one; they have both numerically and experimentally investigated a possible design, “H-shaped” cut-wire pair, which showed an exact negative index band.¹⁵ However, the disadvantage of such a mechanism is the severe requirement of geometry parameters to guarantee a strong enough interaction between neighboring unit cells to shift the electric resonance frequency below the magnetic frequency. Recently, Kanté *et al.* offered a scheme for designing a non-connected negative index metamaterial by inverting the hybridization of plasmon modes via misalignment of paired cut-wires.^{16,17} However, it is easy to see that the misalignment of cut wires will undoubtedly increase the size of the unit cell and may hurt the “subwavelength” property of such metamaterials further.

In this paper, we propose a configuration to obtain a negative index metamaterial with pure discontinuous elements, i.e., a pair of electric-coupled inductor-capacitor

(ELC) resonator.^{18,19} As well known, a single ELC resonator provides a series of electric resonances, the first two of which can be denoted as modes $|\omega_1\rangle$ and $|\omega_2\rangle$, respectively. On the other hand, when two original individual resonators compose a paired system, a hybridization of plasmon modes^{20,21} for each individual resonator occurs, forming two separate eigenmodes. Generally, the eigenmode at the lower frequency is magnetic corresponding to antiparallel currents, while the electric eigenmode with parallel currents is at a higher frequency (i.e., $|\omega_{mi}\rangle < |\omega_{ei}\rangle$, where i represents the order of the resonance mode). Therefore, an intuitive scheme for achieving a NIM is to adopt a paired system of ELC resonators and try to overlap the spectral regions of negative permittivity, ϵ , of the first resonance and negative permeability, μ , of the second resonance.

Figure 1 presents a possible design of NIM, based on the above-mentioned mechanism through a pair of ELC resonators. The ELC resonator can be considered as a transformed E1 structure in Ref. 19, with the central bar elongated. Essentially, it is a combination of an E1 structure and a cut wire. We will show below that such a design makes negative ϵ for $|\omega_{e1}\rangle$ overlap with negative μ for $|\omega_{m2}\rangle$ sufficiently for negative n . The schematic of mode-hybridization-mechanism through a pair of ELC resonators for negative n is presented in Fig. 2, which also shows the surface current pattern of each resonance mode specifically for our design. The different thicknesses of the arrows schematically represent the different strengths of the surface currents.

We set our design to work in the gigahertz (GHz) region with the corresponding parameters shown in the caption for Fig. 1. The structure is patched on Rogers 4003 printed circuit board. A 0.787 mm-thick layer of dielectric ($\epsilon_s = 3.55$ and loss tangent 0.0027) is coated with a 34 μm -thick copper layer on both sides. We characterize the properties of the ELC resonator pair via both numerical simulations and experimental measurements. The simulations are performed with the commercial software package, CST Microwave Studio. The software determines the reflection and transmission

^{a)}Author to whom correspondence should be addressed. Electronic mail: nhshen@ameslab.gov.

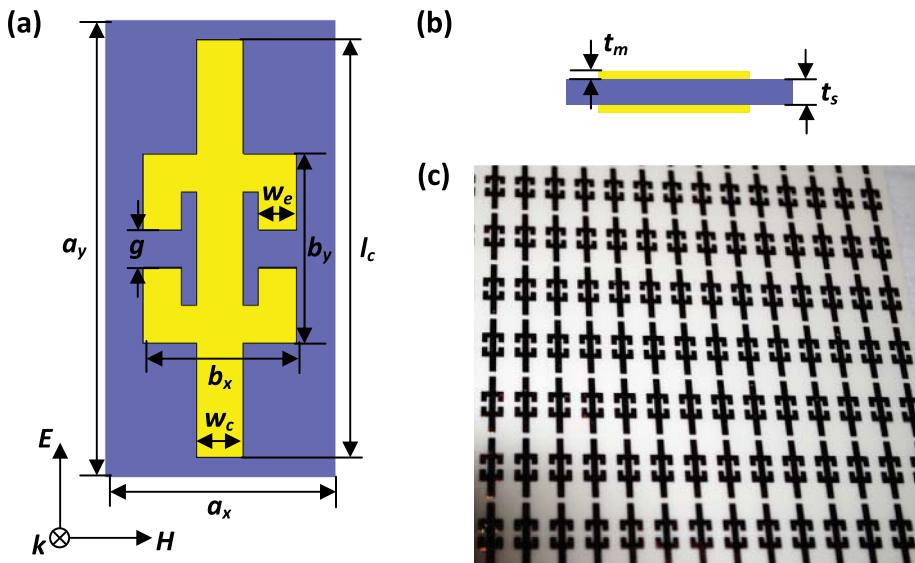


FIG. 1. (a) Front view and (b) top view to the schematic of a unit cell of the discontinuous NIM design. (c) A photo of the experimental sample. $a_x = 6$ mm, $a_y = 12$ mm, $b_x = 4$ mm, $b_y = 5$ mm, $w_c = 1.2$ mm, $l_c = 11$ mm, $w_e = 1$ mm, $g = 1$ mm, $t_s = 0.787$ mm, $t_m = 34$ μ m.

information of the structure employing the finite integration technique. In the simulations, only a single unit cell as shown in Fig. 1(a) is taken into account with a periodic boundary condition in x and y directions to mimic an array of ELC resonator pair structure. Two ports are settled at each side of the structure parallel to the x - y plane. The simulated reflection/transmission (R/T) spectra are shown as dashed curves in Figs. 3(a) and 3(b). A photograph of the fabricated sample for experimental study is shown in Fig. 1(c).

We measured the transmission and reflection properties of a single-layer structure using an Agilent E8364B PNA network analyzer supplied by a pair of Narda standard gain WR-62 horn antennas as source and receiver. The working frequency is 12.4-18.0 GHz. Through appropriate calibrations, we obtain clean spectra of reflection and transmission as presented in Figs. 3(a) and 3(b) with solid curves. The overall qualitative agreement between simulations and measurements is pretty good. To further demonstrate the properties of this structure, we extract its electromagnetic parameters, i.e., n , ϵ , and μ , from the obtained R/T information by using the well-established retrieval procedure.²²⁻²⁴ In the retrieval, we assume that the unit-cell size in z -direction is 2.855 mm by adding a 1 mm-thick air layer on each side of the structure.

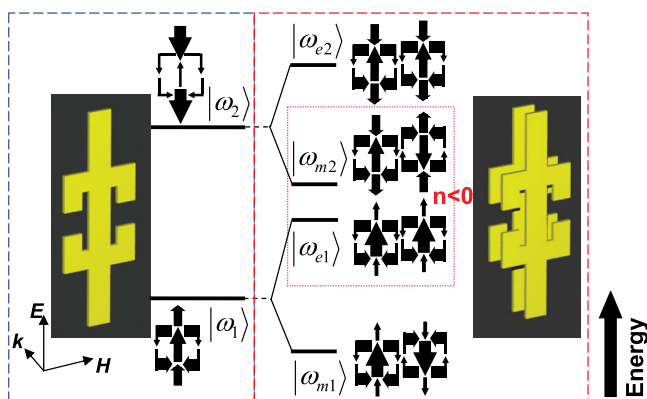


FIG. 2. Schematic of our proposed mode-hybridization mechanism to achieve negative index n . Surface current patterns of our designed structure are shown next to the denotation of each mode.

It is clearly seen from Fig. 4 the structure shows a narrow band of negative n with simultaneously negative ϵ and μ around 15.5 GHz, both in simulation and in measurement. The dip value of refractive index n by the experiment is as low as -2.4 , compared to -3.1 from the simulation. The simulated and measured permeability μ dips to -3.6 and -2 , respectively, which originates from a strong magnetic resonance, the second order magnetic resonance of our designed ELC resonator pair structure (the first order magnetic resonance occurs at ~ 6.6 GHz, not shown here). The strength of

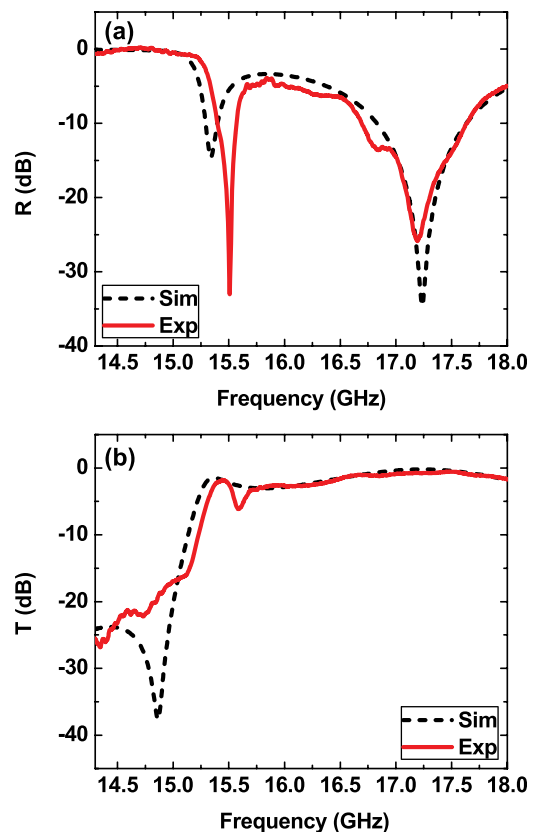


FIG. 3. Reflection (a) and transmission (b) spectra for normal incident electromagnetic wave on the designed ELC resonator pair structure: simulations (black dashed curves) and experiments (red solid curves).

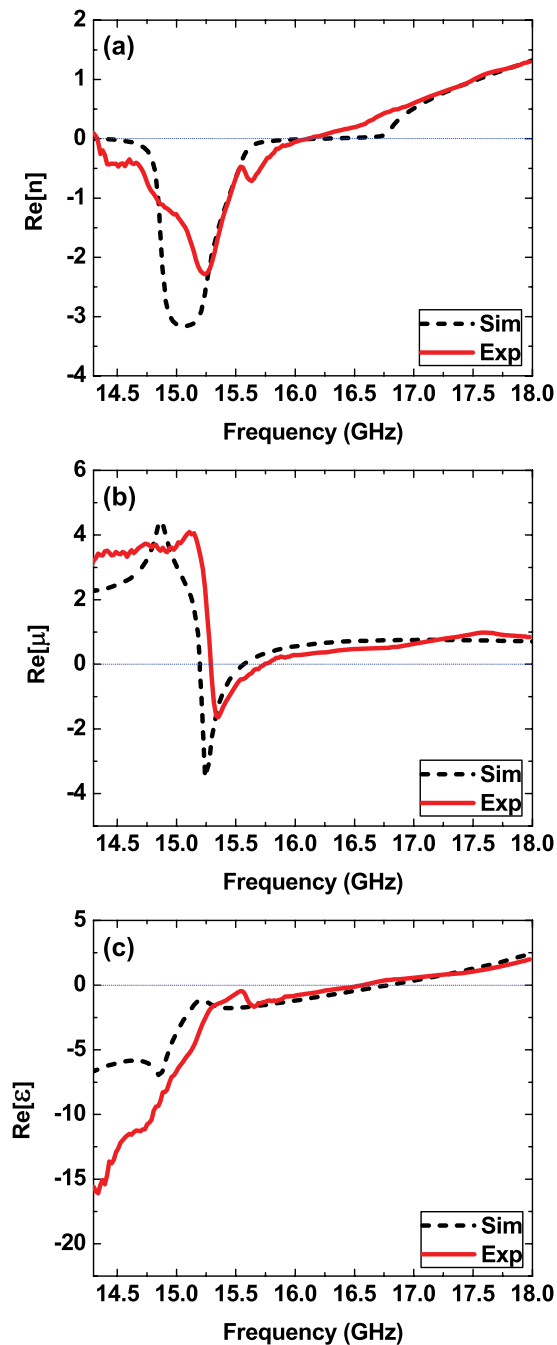


FIG. 4. Retrieved (a) refractive index n , (b) permeability μ , and (c) permittivity ϵ of a single-layer of designed ELC resonator pair structure, using the simulated (black dashed curve) and measured (red solid curve) reflection and transmission data.

the second magnetic resonance is comparable to that of the first order, with quality factors of about 46 and 55, respectively. Here, we would like to mention that, before any optimization to the design, our structure has the maximum figure of merit (FOM) about 10, which can be improved with further modulation to the parameters. We also have completed a series of simulations by changing l_c in the structure (results not shown here). The original separation of ω_{e1} and ω_{m2} is large with a small l_c . When we increase l_c , ω_{e1} and ω_{m2} become closer and finally, when $l_c = 11$ mm, the second magnetic resonance ($\mu < 0$) overlaps with the first electric resonance ($\epsilon < 0$) giving negative n . This confirms our expectation of the mode hybridization mechanism for NIM designs. In addition,

the proposed design or various ELC resonator pair structures, based on mode-hybridization mechanism, may render negative index not only for GHz but also in high frequency regions and can be used to fabricate three-dimensional metamaterials with negative index of refraction.²⁵

In conclusion, pairing ELC resonators splits each resonance of the original single structure into two modes, i.e., magnetic (lower energy) and electric (higher energy) ones. We propose a mechanism to realize negative index by hybridizing the first electric resonance and the second magnetic resonance of a paired ELC resonator system. Both numerical simulation and experimental measurements for an ELC resonator pair design have confirmed our expectation for a band showing a negative refractive index. Such a category of designs is based on isolated components, which shall benefit the realization of high dimensional negative index metamaterials. The idea may also work in high frequency regimes, even at optical wavelengths with various intriguing designs.

Work at Ames Laboratory was supported by the Department of Energy (Basic Energy Sciences, Division of Materials Sciences and Engineering) under Contract No. DE-AC02-07CH11358. This was partially supported by the European Community Project NIM_NIL (Contract No. 228637).

¹V. M. Shalaev, *Nature Photon.* **1**, 41 (2007).

²C. M. Soukoulis, S. Linden, and M. Wegener, *Science* **315**, 47 (2007).

³N. I. Zheludev, *Science* **328**, 528 (2010).

⁴A. Boltasseva and H. A. Atwater, *Science* **331**, 290 (2011).

⁵C. M. Soukoulis and M. Wegener, *Nature Photon.* **5**, 523 (2011).

⁶P. Tassin, Th. Koschny, M. Kafesaki, and C. M. Soukoulis, *Nature Photon.* **6**, 259 (2012).

⁷R. A. Shelby, D. R. Smith, and S. Schultz, *Science* **292**, 77 (2001).

⁸D. R. Smith, W. J. Padilla, D. C. Vier, S. C. Nemat-Nasser, and S. Schultz, *Phys. Rev. B* **84**, 4184 (2000).

⁹J. Huangfu, L. Ran, H. Chen, X. Zhang, K. Chen, T. M. Grzegorzczak, and J. A. Kong, *Appl. Phys. Lett.* **84**, 1537 (2004).

¹⁰H. Chen, L. Ran, J. Huangfu, X. Zhang, K. Chen, T. M. Grzegorzczak, and J. A. Kong, *Appl. Phys. Lett.* **86**, 151909 (2005).

¹¹J. Zhou, L. Zhang, G. Tuttle, Th. Koschny, and C. M. Soukoulis, *Phys. Rev. B* **73**, 041101(R) (2006).

¹²M. Kafesaki, I. Tsiapa, N. Katsarakis, Th. Koschny, C. M. Soukoulis, and E. N. Economou, *Phys. Rev. B* **75**, 235114 (2007).

¹³D. Ö. Güney, Th. Koschny, M. Kafesaki, and C. M. Soukoulis, *Opt. Lett.* **34**, 506 (2009).

¹⁴J. Zhou, E. N. Economou, Th. Koschny, and C. M. Soukoulis, *Opt. Lett.* **31**, 3620 (2006).

¹⁵J. Zhou, Th. Koschny, L. Zhang, G. Tuttle, and C. M. Soukoulis, *Appl. Phys. Lett.* **88**, 221103 (2006).

¹⁶A. Sellier, S. N. Burokur, B. Kanté, and A. de Lustrac, *Opt. Express* **17**, 6301 (2009).

¹⁷B. Kanté, S. N. Burokur, A. Sellier, A. de Lustrac, and J.-M. Lourtioz, *Phys. Rev. B* **79**, 075121 (2009).

¹⁸D. Schurig, J. J. Mock, and D. R. Smith, *Appl. Phys. Lett.* **88**, 041109 (2006).

¹⁹W. J. Padilla, M. T. Aronsson, C. Highstrete, M. Lee, A. J. Taylor, and R. D. Averitt, *Phys. Rev. B* **75**, 041102(R) (2007).

²⁰E. Prodan, C. Radloff, N. J. Halas, and P. Nordlander, *Science* **302**, 419 (2003).

²¹N. Liu, H. Liu, S. Zhu, and H. Giessen, *Nature Photon.* **3**, 157 (2009).

²²D. R. Smith, S. Schultz, P. Markos, and C. M. Soukoulis, *Phys. Rev. B* **65**, 195104 (2002).

²³D. R. Smith, D. C. Vier, Th. Koschny, and C. M. Soukoulis, *Phys. Rev. E* **71**, 036617 (2005).

²⁴Th. Koschny, P. Markos, E. N. Economou, D. R. Smith, D. C. Vier, and C. M. Soukoulis, *Phys. Rev. B* **71**, 245105 (2005).

²⁵Th. Koschny, L. Zhang, and C. M. Soukoulis, *Phys. Rev. B* **71**, 121103(R) (2005).